

## Surface Mount Isolators

Part Number: KTSI-102K4

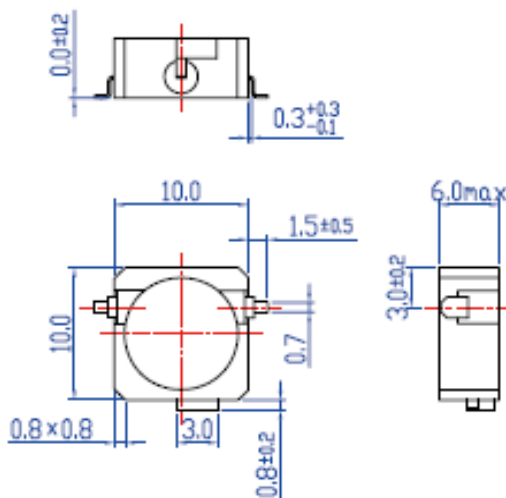
### Key Features

- Vibration Resistance, Shock Resistance
- Compact Structure, Small Size
- High Frequency Characteristic
- High Production Efficiency
- Operating Temperature Range : -40°C~+85°C
- Widely Used in All Kinds of Base Stations, Small Power Amplifier etc.

### Electrical Specifications at Room (25°C±5°C) Temperature

Part Number	Freq. Range (GHz)	Relative Bandwidth	Insertion Loss Max. (dB)	Isolation Min. (dB)	VSWR Max.	Load Power (W)	Connector Type
KTSI-102K4	1.5 - 2.2	1%	0.4	20	1.25	5	SMD

### Mechanical Dimensions (mm)



### HOW TO ORDER

