

## Coaxial High Power Isolators

Part Number: KTCI0301-500

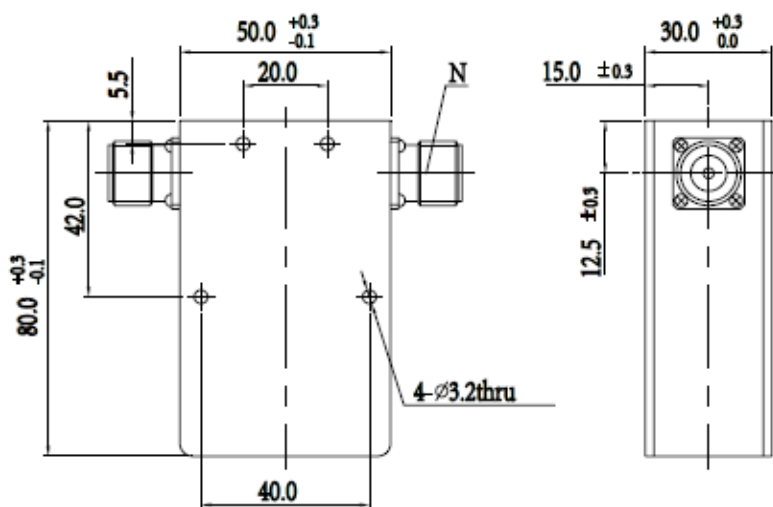
### Key Features

- Frequency Range: 0.32 - 0.36GHz
- High Power Handling, Duty Ratio 30%
- Low Insertion Loss, High Isolation
- Wide Operating Temperature Range : -30°C~+70°C
- Commercial, Military and Space Applications

### Electrical Specifications at Room (25°C±5°C) Temperature

Part Number	Freq. Range (GHz)	Bandwidth Max. (MHz)	Insertion Loss Max (dB)	Isolation Min. (dB)	VSWR Max.	Peak Power (W)	Duty Ratio	Reverse Power (W)	Connector Type
KTCI0301-500	0.32 - 0.36	full	0.4	20	1.25	1600	30%	500	N

### Mechanical Dimensions (mm)



### HOW TO ORDER

