

## Drop-in Isolators

Part Number: KTDI0702M1-100

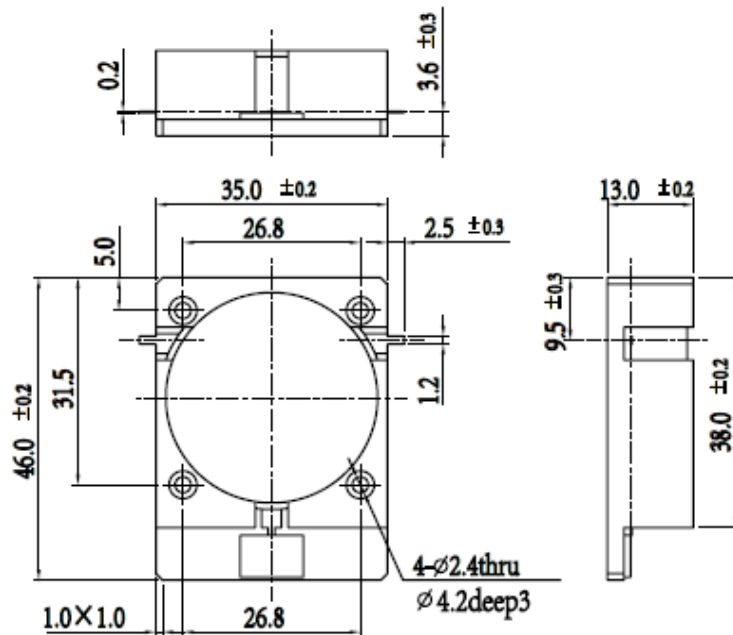
### Key Features

- Frequency Range: 0.5GHz - 1.0GHz
- Low Insertion Loss, High Isolation
- High Power Handling, Good Performance
- Wide Operating Temperature Range: -30°C~+70°C
- Commercial, Military and Space Applications

### Electrical Specifications at Room (25°C±5°C) Temperature

Part Number	Freq. Range (GHz)	Bandwidth Max. (MHz)	Insertion Loss Max. (dB)	Isolation Min. (dB)	VSWR Max.	Reverse Power (W)	Connector Type
KTDI0702M1-100	0.5 - 1.0	70	0.4	23	1.20	100	TAB

### Mechanical Dimensions (mm)



### HOW TO ORDER

