

## Drop-in Isolators

Part Number: KTDI0102M-100

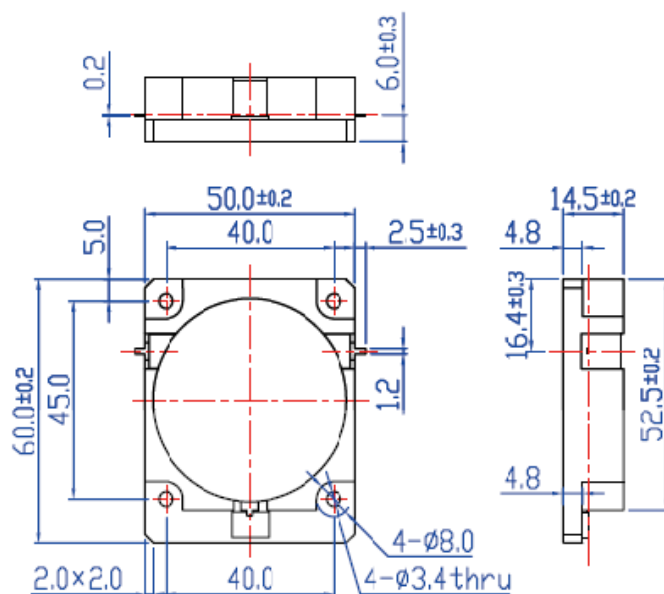
### Key Features

- Frequency Range: 0.2GHz - 0.4GHz
- Low Insertion Loss, High Isolation
- High Performance, High Power Handling
- Wide Operating Temperature Range: 0°C~+60°C
- Commercial, Military and Space Applications

### Electrical Specifications at Room (25°C±5°C) Temperature

Part Number	Freq. Range (GHz)	Bandwidth Max. (MHz)	Insertion Loss Max. (dB)	Isolation Min. (dB)	VSWR Max.	Reverse Power (W)	Connector Type
KTDI0102M-100	0.2 - 0.4	30	0.5	18	1.30	100	TAB

### Mechanical Dimensions (mm)



### HOW TO ORDER

