

Drop-in Isolators

Part Number: KTDI-702M4

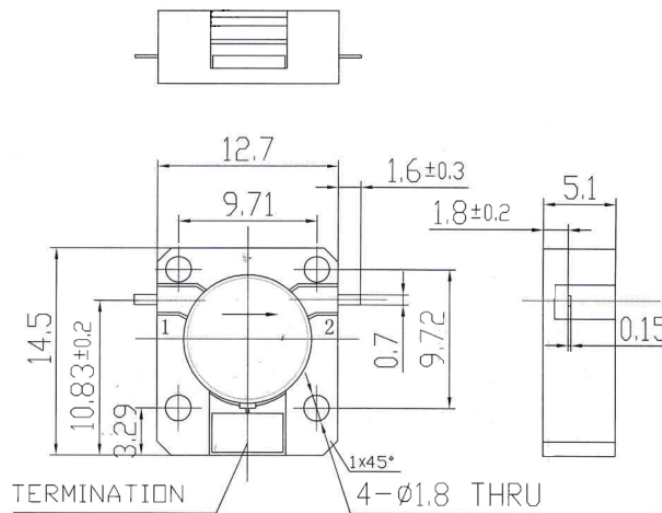
Key Features

- Frequency Range: 4.5GHz - 17.0GHz
- Low Insertion Loss, High Isolation
- Small Size, High Reliability Performance
- Wide Operating Temperature Range: -40°C~+70°C
- Commercial, Military and Space Applications

Electrical Specifications at Room (25°C±5°C) Temperature

Part Number	Freq. Range (GHz)	Bandwidth Max. (MHz)	Insertion Loss Max. (dB)	Isolation Min. (dB)	VSWR Max.	Reverse Power (W)	Connector Type
KTDI-702MA	4.5 - 8.0	500-1000	0.5	20	1.25	10	TAB
KTDI-702MA	8 - 12	2000	0.5	20	1.30	10	TAB
KTDI-702MA	8 - 12	full	0.6	18	1.35	10	TAB
KTDI-702MA	12- 17	1000	0.5	20	1.30	10	TAB

Mechanical Dimensions (mm)



HOW TO ORDER

