

## Drop-in Isolators

Part Number: KTDI-2002

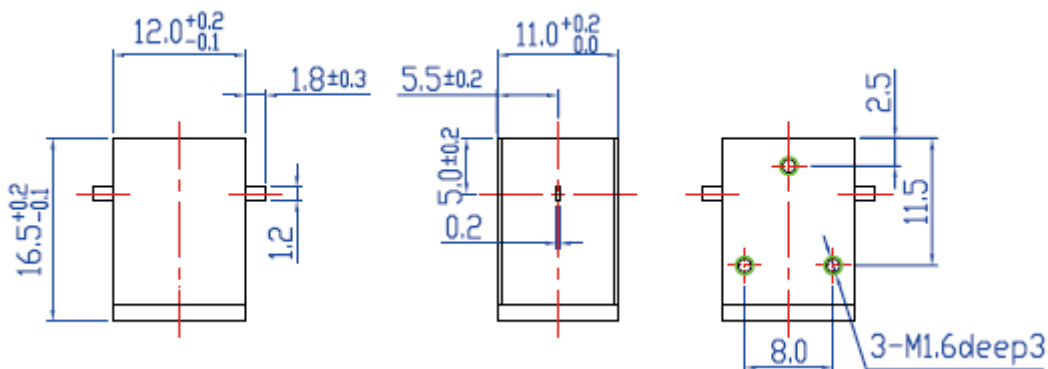
### Key Features

- Frequency Range: 18.0GHz - 24.5GHz
- Low Insertion Loss, High Isolation
- Small Size, High Performance
- Wide Operating Temperature Range: -40°C~+70°C
- Commercial, Military and Space Applications

### Electrical Specifications at Room (25°C±5°C) Temperature

Part Number	Freq. Range (GHz)	Bandwidth Max. (MHz)	Insertion Loss Max. (dB)	Isolation Min. (dB)	VSWR Max.	Average Power (W)	Connector Type
KTDI-2002	18.0 - 24.5	2000	0.6	18	1.35	2	TAB

### Mechanical Dimensions (mm)



### HOW TO ORDER

