

Drop-in Isolators

Part Number: KTDI-102M6

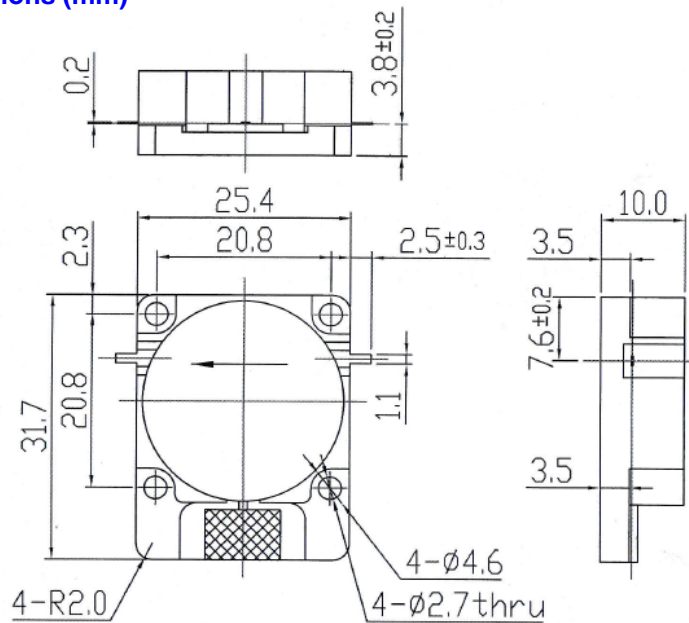
Key Features

- Frequency Range: 0.8GHz - 2.2GHz
- Low Insertion Loss, High Isolation
- Reliability Performance, High Power Handling
- Wide Operating Temperature Range: -40°C~+85°C
- Commercial, Military and Space Applications

Electrical Specifications at Room (25°C±5°C) Temperature

Part Number	Freq. Range (GHz)	Bandwidth Max. (MHz)	Insertion Loss Max. (dB)	Isolation Min. (dB)	VSWR Max.	Reverse Power (W)	Connector Type
KTDI-102M6	0.8 - 2.2	70	0.3	23	1.20	100	TAB
KTDI-102M6	0.8 - 2.2	200	0.5	20	1.25	100	TAB

Mechanical Dimensions (mm)



HOW TO ORDER

