

Drop-in Isolators

Part Number: KTDI-102K2

Key Features

- Frequency Range: 1550MHz -1650MHz
- Low Insertion Loss, High Isolation
- Small Size, Good Performance
- Wide Operating Temperature Range : -40°C~+85°C
- Commercial, Military and Space Applications

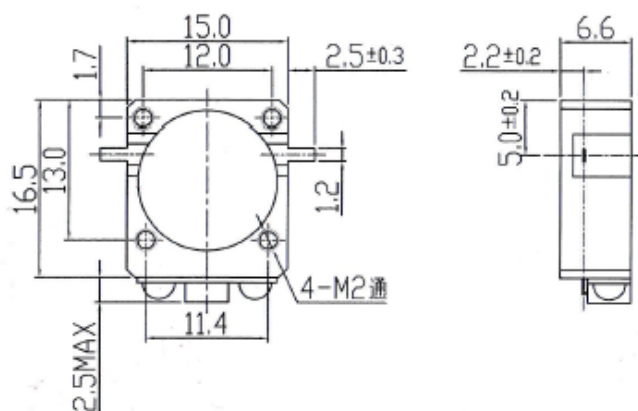
Electrical Specifications at Room (25°C±5°C) Temperature

Part Number	Freq. Range (MHz)	Bandwidth Max. (MHz)	Insertion Loss Max. (dB)	Isolation Min. (dB)	VSWR Max.	Load Power (W)	Connector Type
KTDI-102K2	1550 - 1650	full	0.4	20	1.25	10	TAB

Electrical Specifications at -40°C~+85°C Temperature

Part Number	Freq. Range (MHz)	Bandwidth Max. (MHz)	Insertion Loss Max. (dB)	Isolation Min. (dB)	VSWR Max.	Load Power (W)	Connector Type
KTDI-102K2	1550 - 1650	full	0.5	19	1.30	10	TAB

Mechanical Dimensions (mm)



HOW TO ORDER

