

Drop-in Isolators

Part Number: KTDI-0702M1

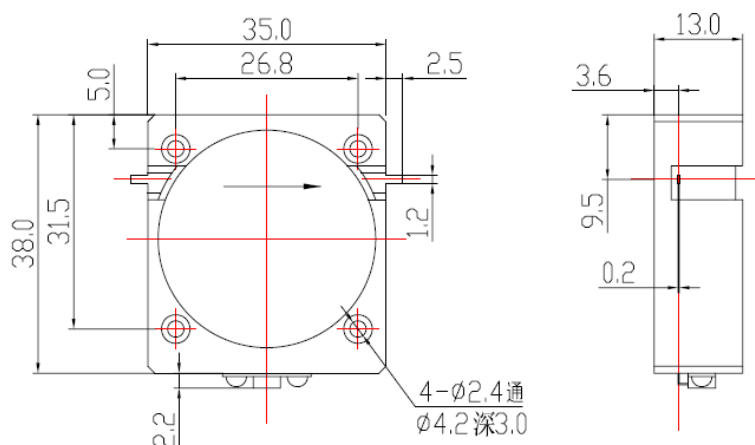
Key Features

- Frequency Range: 0.5GHz - 1.0GHz
- Low Insertion Loss, High Isolation
- High Reliability Performance
- Wide Operating Temperature Range: -40°C~+85°C
- Commercial, Military and Space Applications

Electrical Specifications at Room (25°C±5°C) Temperature

Part Number	Freq. Range (GHz)	Bandwidth Max. (MHz)	Insertion Loss Max. (dB)	Isolation Min. (dB)	VSWR Max.	Reverse Power (W)	Connector Type
KTDI-0702M1	0.5 - 1.0	70	0.4	23	1.20	10	TAB

Mechanical Dimensions (mm)



HOW TO ORDER

