

Drop-in Isolators

Part Number: KTDI-0102A

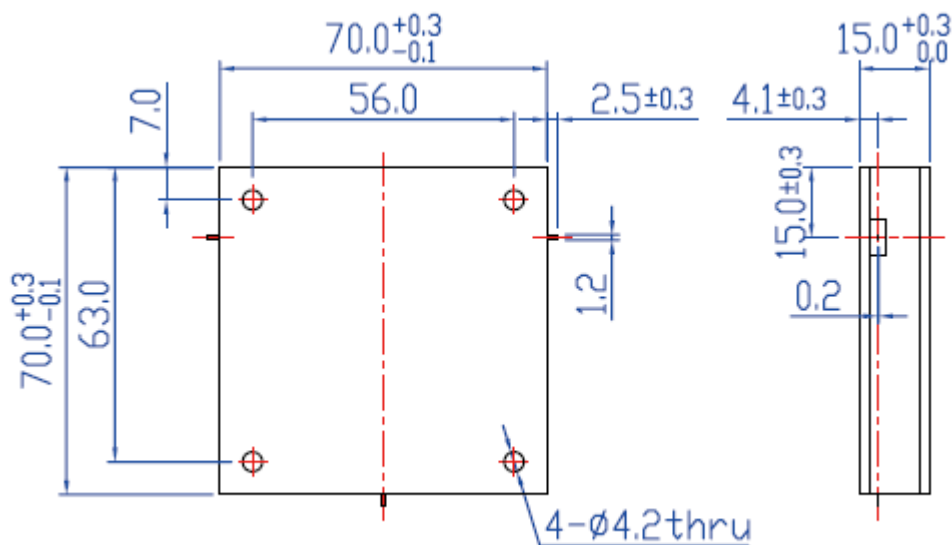
Key Features

- Frequency Range: 0.14GHz - 0.24GHz
- Low Insertion Loss, High Isolation
- Good Performance, High Power Handling
- Wide Operating Temperature Range: 0°C~+60°C
- Commercial, Military and Space Applications

Electrical Specifications at Room (25°C±5°C) Temperature

Part Number	Freq. Range (GHz)	Bandwidth Max. (MHz)	Insertion Loss Max. (dB)	Isolation Min. (dB)	VSWR Max.	Reverse Power (W)	Connector Type
KTDI-0102A	0.14 - 0.24	10	0.6	18	1.30	100	TAB

Mechanical Dimensions (mm)



HOW TO ORDER

