

Coaxial Isolators

Part Number: KTCI0101A-B

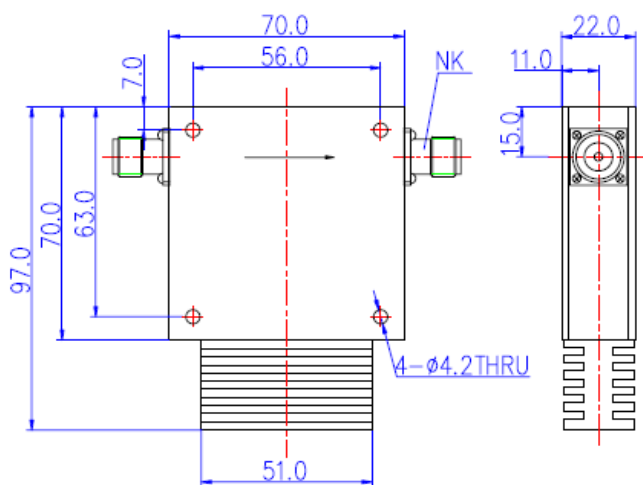
Key Features

- Frequency Range: 0.14GHz - 0.24GHz
- Low Insertion Loss, High Isolation
- Small Size, High Power Handling
- Wide Operating Temperature Range : -55°C~+85°C
- Commercial, Military and Space Applications

Electrical Specifications at Room (25°C±5°C) Temperature

Part Number	Freq. Range (GHz)	Bandwidth Max. (MHz)	Insertion Loss Max (dB)	Isolation Min. (dB)	VSWR Max.	Reverse Power (W)	Connector Type
KTCI0101A-B	0.14 - 0.24	10	0.6	18	1.30	100	SMA/N

Mechanical Dimensions (mm)



HOW TO ORDER

