

Coaxial Isolators

Part Number: KTCI-401A

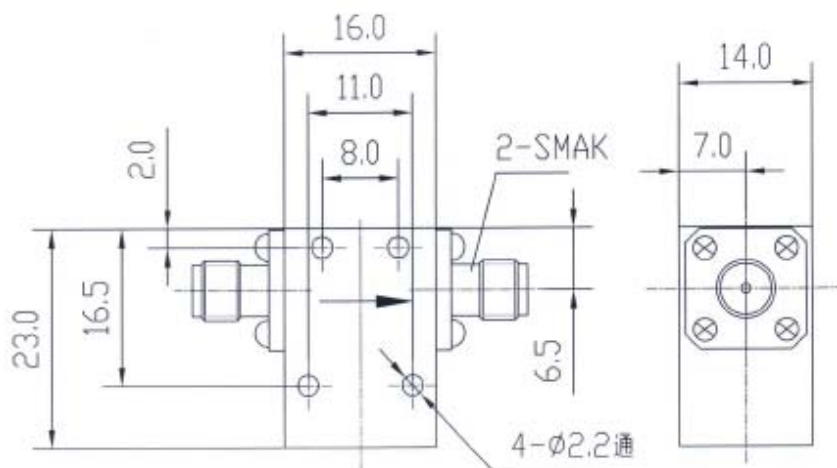
Key Features

- Frequency Range: 3.5GHz - 8.0GHz
- Low Insertion Loss, High Isolation
- Small Size, High Power Handling
- Wide Operating Temperature Range : -55°C~+85°C
- Commercial, Military and Space Applications

Electrical Specifications at Room (25°C±5°C) Temperature:

Part Number	Freq. Range (GHz)	Bandwidth Max. (MHz)	Insertion Loss Max. (dB)	Isolation Min. (dB)	VSWR Max.	Reverse Power (W)	Connector Type
KTCI-401A	3.5 - 8.0	600	0.4	23	1.20	10	SMA

Mechanical Dimensions (mm):



HOW TO ORDER

