

## Coaxial Isolators

Part Number: KTCI-0301B

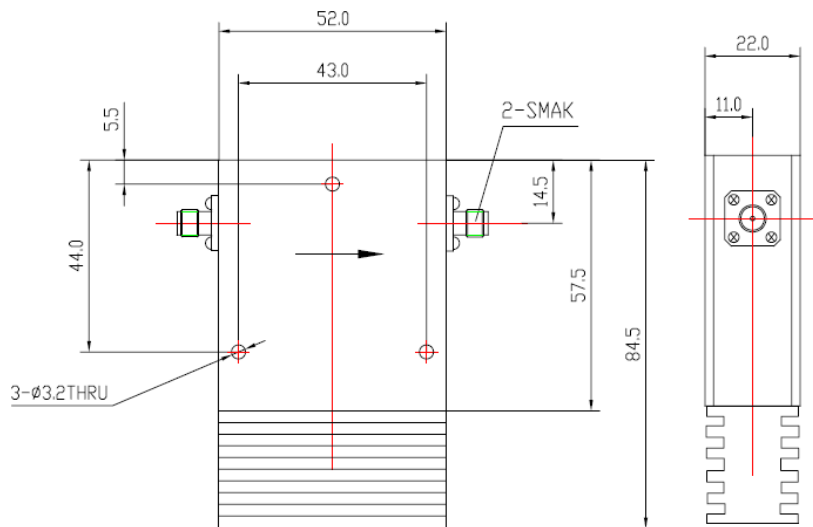
### Key Features

- Frequency Range: 0.25GHz – 0.45GHz
- Low Insertion Loss, High Isolation
- Small Size, High Power Handling
- Wide Operating Temperature Range : -55°C~+85°C
- Commercial, Military and Space Applications

### Electrical Specifications at Room (25°C±5°C) Temperature

Part Number	Freq. Range (GHz)	Bandwidth Max. (MHz)	Insertion Loss Max. (dB)	Isolation Min. (dB)	VSWR Max.	Reverse Power (W)	Connector Type
KTCI-0301B	0.25 - 0.45	30	0.4	20	1.25	100	SMA/N

### Mechanical Dimensions (mm)



### HOW TO ORDER

