

Microstrip Circulator

Part Number: KTMC-2602A2

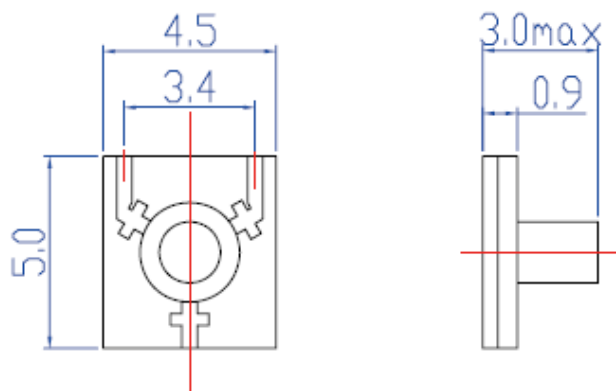
Key Features

- Frequency Range: 24.5GHz - 26.5GHz
- Good Consistency
- Small Size, High Precision
- High Isolation, Low Insertion Loss
- Wide Operating Temperature Range: -55°C~+85°C
- Widely Used in Various Millimeter Wave Radar & TR Components

Electrical Specifications at Room (25°C±5°C) Temperature

Part Number	Freq. Range (GHz)	Bandwidth Max. (MHz)	Insertion Loss Max. (dB)	Isolation Min. (dB)	VSWR Max.	Connector Type
KTMC-2602A2	24.5 - 26.5	full	1.0	16	1.40	GWB

Mechanical Dimensions (mm)



HOW TO ORDER

