

Microstrip Circulator

Part Number: KTMC-1502A9

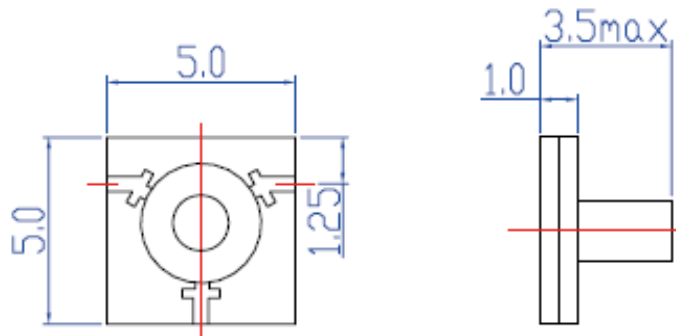
Key Features

- Frequency Range: 8GHz - 12GHz
- Small Size, High Precision
- Good Consistency
- High Isolation, Low Insertion Loss
- Wide Operating Temperature Range: -55°C~+85°C
- Widely Used in Various Millimeter Wave Radar & TR Components

Electrical Specifications at Room (25°C±5°C) Temperature

Part Number	Freq. Range (GHz)	Bandwidth Max. (MHz)	Insertion Loss Max. (dB)	Isolation Min. (dB)	VSWR Max.	Connector Type
KTMC-1502A9	8 - 12	full	0.6	16	1.40	GWB

Mechanical Dimensions (mm)



HOW TO ORDER

