

Tab & Cover Terminations

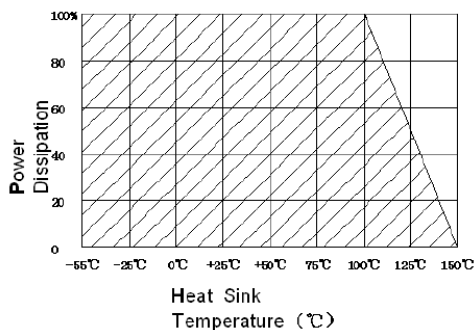
Electrical Features

- ◇ **Nominal Impedance:** 50 Ω
- ◇ **Resistive Tolerance:** ±5% standard; ±2%, ±1% available
- ◇ **Power Rating:** 3W-500W
- ◇ **Frequency Range:** DC-18GHz
- ◇ **Operating Temperature:** -55°C to +150°C
- ◇ **Temperature Coefficient:** <150ppm/°C
- ◇ **RoHS Compliant**

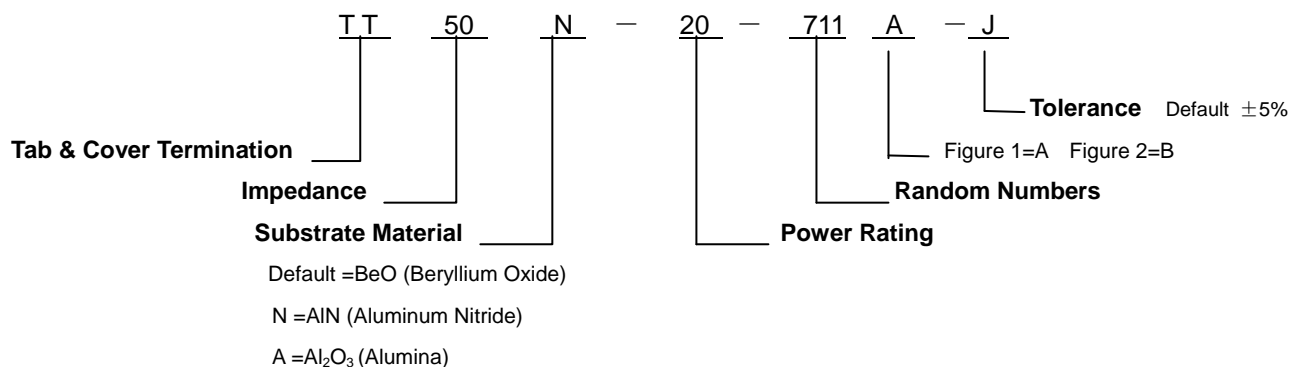
Mechanical Features

- ◇ **Substrate Material:** AlN, BeO, Al₂O₃
- ◇ **Lead:** Beryllium Copper, Silver Plated
- ◇ **Cover:** Alumina Ceramic
- ◇ **Resistive Elements:** Thin, Thick Film
- ◇ **Mechanical Tolerance:** ±2%
- ◇ **Packaging:** Plastic Box

Power Derating



HOW TO ORDER



General Specifications and Dimensions for 10W-250W DC-18GHz

Part Number	Power Rating (W)	Freq. (GHz)	VSWR (Max.)	Dimension (mm)						Outline Drawing
				L	W	T	H	I	Tw	
TT50-10-707A	10	DC-3	1.20:1	4	4	1	1.9	4	1	Figure 1
TT50N-20-308A	20	DC-3	1.20:1	5	2.5	1	1.9	4	1	Figure 1
TT50-20-206A	20	DC-18	1.35:1	3	2.5	0.6	N/A	N/A	N/A	Figure 1
TT50-20-416A	20	DC-18	1.35:1	5	2.5	0.6	N/A	N/A	N/A	Figure 1
TT50N-100-503B	100	DC-3	1.20:1	5.7	8.9	1	N/A	6	1	Figure 2
TT50-150-718A	150	DC-10	1.35:1	12.7	12.7	2	N/A	N/A	N/A	Figure 1
TT50N-150-701B	150	DC-3	1.20:1	6.35	9.5	1.5	N/A	3.2	1	Figure 2
TT50N-150-323B	150	DC-3	1.25:1	9.5	6.35	1	N/A	6	1.4	Figure 2
TT50N-150-306B	150	DC-3	1.25:1	6.35	9.5	1	N/A	6	1	Figure 2
TT50N-250-019A	250	DC-3	1.20:1	9.5	9.5	1.5	2.4	3.5	1.4	Figure 1
TT50N-250-252B	250	DC-3	1.20:1	9.5	9.5	1	N/A	6	1.4	Figure 2
TT50N-250-011B	250	DC-2.5	1.20:1	9.5	9.5	1.5	N/A	6	1	Figure 2

* Customized products are available, please consult with Kete.

Outline Drawing

Figure 1 (A)

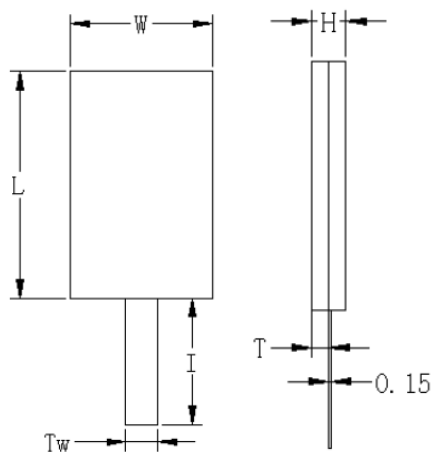
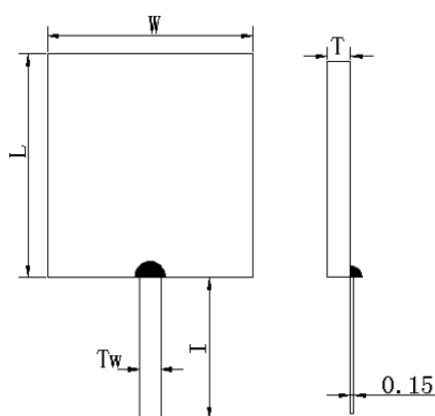


Figure 2 (B)



Installation Instructions

1. Solder part or tabs in place with temperature iron (260°C).
2. Forming a small hoop in the tab will act as a strain relief as the heat is dissipated.

