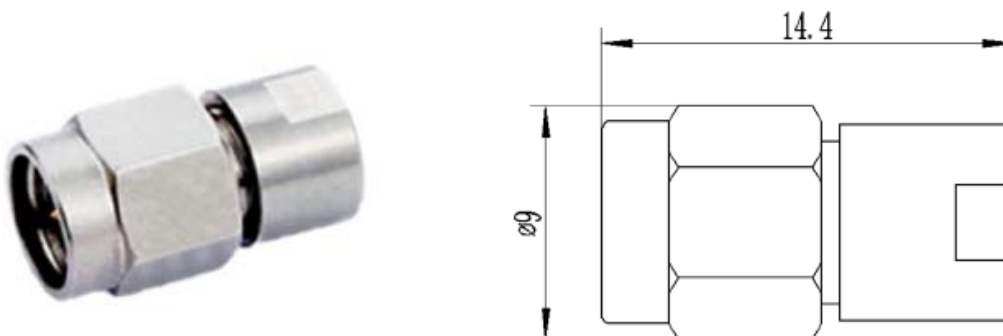


SMA , DC-22GHz, 1W

Electrical Specifications

- ◇ **Nominal Impedance:** 50 Ω
- ◇ **Power Rating:** 1W
- ◇ **Connector Type:** SMA(Male)
- ◇ **Operating Temperature:** -55°C ~ +125°C
- ◇ **RoHS Compliant**

Outline Drawing (mm)



Part Number	Frequency Range(GHz)	VSWR (Max.)	Dimensions (mm)	Weight (g)
CT50-1-S-6	DC-6	1.10	Φ9 x14.4	5
CT50-1-S-12.4	DC-12.4	1.15		
CT50-1-S-18	DC-18	1.20		
CT50-1-S-22	DC-22	1.25		

Notes:

1. Input power shall meet the requirements of the power derating.
2. General peak power 10 times rated power (5μs pulse width, 1% duty cycle).