

## SMA-Type Coaxial Fixed Attenuators

### Electrical Features

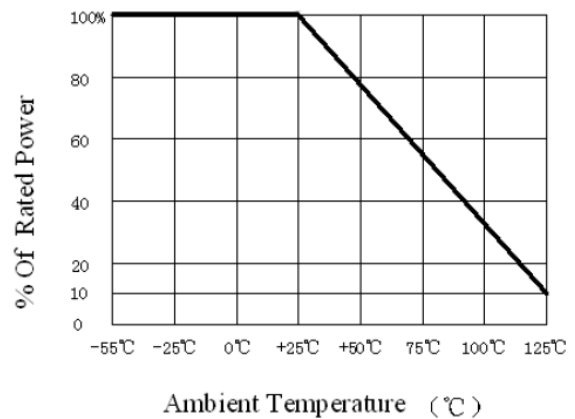
- ✧ **Nominal Impedance:** 50 Ω
- ✧ **Power Rating:** 2W -25W
- ✧ **Frequency Range :** DC-22GHz
- ✧ **Attenuation Value:** 1-30dB
- ✧ **Operating Temperature:** -55°C to +125°C
- ✧ **Connector Type:** SMA (Male/Female)



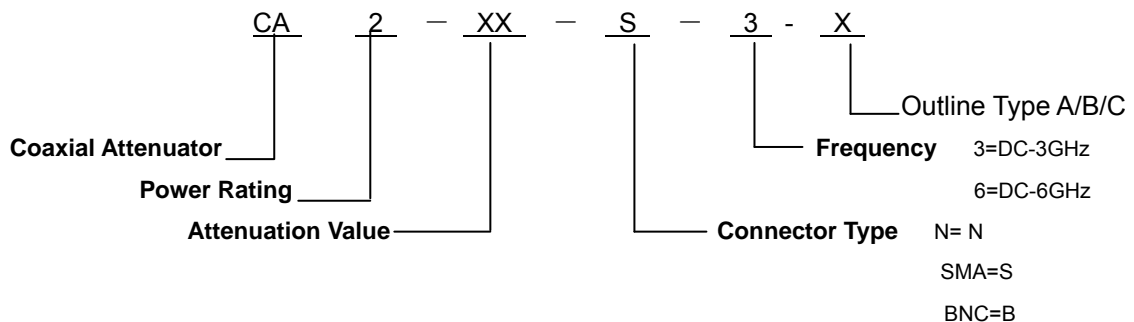
### Mechanical Features

- ✧ **Housing:** Aluminum
- ✧ **Connectors:** Brass Nickel Plated
- ✧ **Male Pin:** Brass Gold Plated
- ✧ **Female Pin:** Beryllium Copper Gold Plated
- ✧ **Mechanical Tolerance:** ±2%
- ✧ **Packaging:** Box
- ✧ **RoHS Compliant**

### Power Derating



### HOW TO ORDER



### General Specifications for SMA Connector 2W-25W DC-22GHz

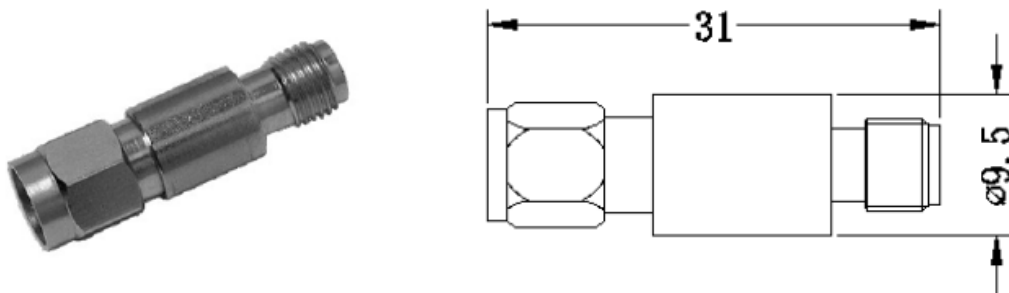
Part Number	Rated Power(W)	Frequency Rang (GHz)	Attenuation Value (dB)	VSWR (Max.)	Dimensions (mm)
CA2-XX-S-6-A	2	DC-6	1-9,10, 20, 30	1.20	Φ 9.5x31
CA2-XX-S-12.4-A		DC-12.4	1-9,10, 20, 30	1.25	
CA2-XX-S-18-A		DC-18	1-9,10, 20, 30	1.20	
CA2-XX-S-6-B	2	DC-6	1-9,10, 20, 30	1.25	Φ 7.6x21.7
CA2-XX-S-12.4-B		DC-12.4	1-9,10, 20, 30	1.15	
CA2-XX-S-18-B		DC-18	1-9,10, 20, 30	1.25	
CA2-XX-S-22-B		DC-22	1-9,10, 20, 30	1.30	
CA5-XX-S-6	5	DC-6	1-9,10, 20, 30	1.20	Φ 15.5x32
CA5-XX-S-12.4		DC-12.4	1-9,10, 20, 30	1.25	
CA5-XX-S-18		DC-18	1-9,10, 20, 30	1.20	
CA10-XX-S-6	10	DC-6	1-9,10, 20, 30	1.25	Φ 17x50
CA10-XX-S-12.4		DC-12.4	1-9,10, 20, 30	1.30	
CA10-XX-S-18		DC-18	1-9,10, 20, 30	1.20	
CA25-XX-S-6	25	DC-6	1-9,10, 20, 30	1.25	Φ 45x50.5
CA25-XX-S-12.4		DC-12.4	1-9,10, 20, 30	1.20	
CA25-XX-S-18		DC-18	1-9,10, 20, 30	1.25	

## SMA Series, DC-18GHz, 2W

### Electrical Specifications

- ◇ **Nominal Impedance:** 50 Ω
- ◇ **Power Rating:** 2W
- ◇ **Connector Type:** SMA(Male/Female)
- ◇ **Operating Temperature:** -55℃ to +125℃
- ◇ **Dimension:** Φ9.5x31mm
- ◇ **Net Weight:** 9g
- ◇ **RoHS Compliant**

### Outline Drawing (mm)



Part Number	Frequency Range(GHz)	Attenuation Value & Accuracy (dB)				VSWR (Max.)
		1-9	10	20	30	
CA2-XX-S-6-A	DC-6	±0.4	±0.5	±0.6	±0.8	1.15
CA2-XX-S-12.4-A	DC-12.4	±0.7	±0.7	±0.8	±0.8	1.25
CA2-XX-S-18-A	DC-18	±0.7	±0.7	±0.8	±1.0	1.30

\*xx refer to attenuator value in dB.

### Notes:

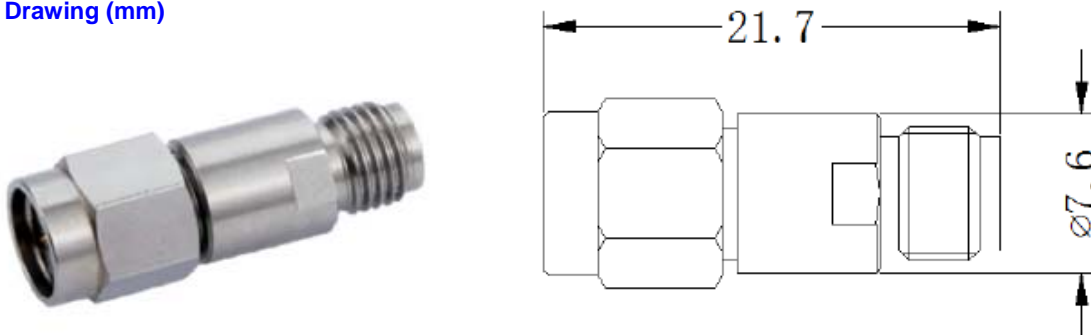
1. The coaxial fixed attenuator must pay attention to the direction of input power.
2. Input power shall meet the requirements of the power derating.
3. General peak power 10 times rated power (5μs pulse width, 1% duty cycle).

## SMA Series, DC-22GHz, 2W

### Electrical Specifications

- ✧ **Nominal Impedance:** 50 Ω
- ✧ **Power Rating:** 2W
- ✧ **Connector Type:** SMA(Male/Female)
- ✧ **Operating Temperature:** -55℃ to +125℃
- ✧ **Dimension:** Φ7.6x21.7mm
- ✧ **Net Weight:** 5g
- ✧ **RoHS Compliant**

### Outline Drawing (mm)



Part Number	Frequency Range(GHz)	Attenuation Value & Accuracy (dB)				VSWR (Max.)
		1-9	10	20	30	
CA2-XX-S-6-B	DC-6	±0.3	±0.3	±0.4	/	1.15
CA2-XX-S-12.4-B	DC-12.4	±0.4	±0.4	±0.5	/	1.25
CA2-XX-S-18-B	DC-18	±0.5	±0.5	±0.6	/	1.35
CA2-XX-S-22-B	DC-22	±0.6	±0.6	±0.7	/	1.50

\*xx refer to attenuator value in dB.

### Notes:

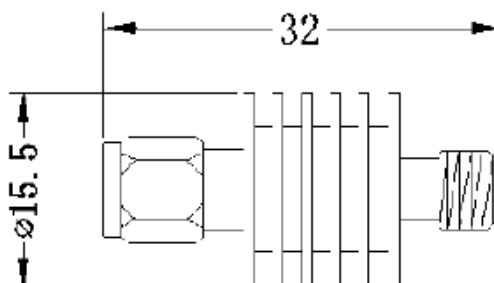
1. The coaxial fixed attenuator must pay attention to the direction of input power.
2. Input power shall meet the requirements of the power derating.
3. General peak power 10 times rated power (5μs pulse width, 1% duty cycle).

## SMA Series, DC-18GHz, 5W

### Electrical Specifications

- ✧ **Nominal Impedance:** 50  $\Omega$
- ✧ **Power Rating:** 5W
- ✧ **Connector Type:** SMA(Male/Female)
- ✧ **Operating Temperature:** -55°C to +125°C
- ✧ **Dimension:**  $\Phi$  15.5x32mm
- ✧ **Net Weight:** 8.7g
- ✧ **RoHS Compliant**

### Outline Drawing (mm)



Part Number	Frequency Range(GHz)	Attenuation Value & Accuracy (dB)				VSWR (Max.)
		1-9	10	20	30	
CA5-XX-S-6	DC-6	$\pm 0.4$	$\pm 0.5$	$\pm 0.6$	$\pm 0.8$	1.15
CA5-XX-S-12.4	DC-12.4	$\pm 0.7$	$\pm 0.7$	$\pm 0.8$	$\pm 0.8$	1.25
CA5-XX-S-18	DC-18	$\pm 0.7$	$\pm 0.7$	$\pm 0.8$	$\pm 1.0$	1.30

\*xx refer to attenuator value in dB.

### Notes:

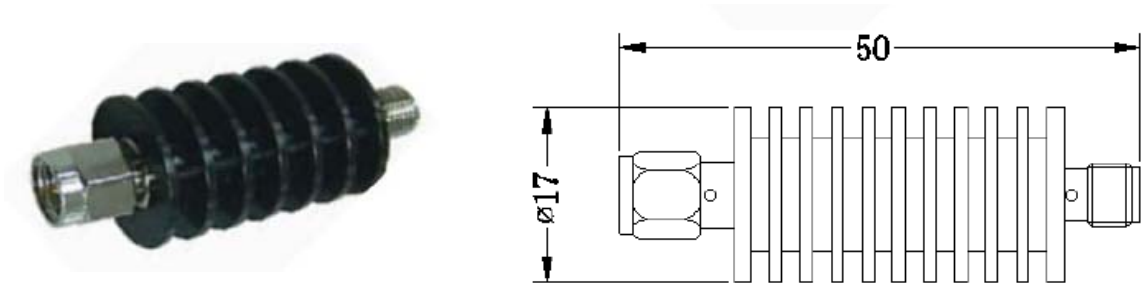
1. The coaxial fixed attenuator must pay attention to the direction of input power.
2. Input power shall meet the requirements of the power derating.
3. General peak power 10 times rated power (5 $\mu$ s pulse width, 1% duty cycle).

## SMA Series, DC-18GHz, 10W

### Electrical Specifications

- ◇ **Nominal Impedance:** 50 Ω
- ◇ **Power Rating:** 10W
- ◇ **Connector Type:** SMA(Male/Female)
- ◇ **Operating Temperature:** -55°C to +125°C
- ◇ **Dimension:** Φ17x50mm
- ◇ **Net Weight:** 19g
- ◇ **RoHS Compliant**

### Outline Drawing (mm)



Part Number	Frequency Range(GHz)	Attenuation Value & Accuracy (dB)				VSWR (Max.)
		1-9	10	20	30	
CA10-XX-S-6	DC-6	±0.4	±0.5	±0.6	±0.8	1.20
CA10-XX-S-12.4	DC-12.4	±0.7	±0.7	±0.8	±1.0	1.25
CA10-XX-S-18	DC-18	±0.7	±0.7	±0.8	±1.0	1.30

\*xx refer to attenuator value in dB.

### Notes:

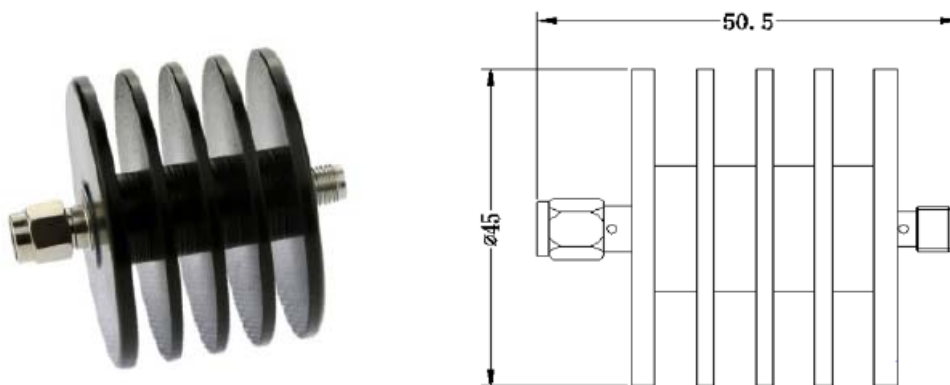
1. The coaxial fixed attenuator must pay attention to the direction of input power.
2. Input power shall meet the requirements of the power derating.
3. General peak power 10 times rated power (5μs pulse width, 1% duty cycle).

## SMA Series, DC-18GHz, 25W

### Electrical Specifications

- ◇ **Nominal Impedance:** 50 Ω
- ◇ **Power Rating:** 25W
- ◇ **Connector Type:** SMA(Male/Female)
- ◇ **Operating Temperature:** -55℃ to +125℃
- ◇ **Dimension:** Φ45x50.5mm
- ◇ **Net Weight:** 65.5g
- ◇ **RoHS Compliant**

### Outline Drawing (mm)



Part Number	Frequency Range(GHz)	Attenuation Value & Accuracy (dB)				VSWR (Max.)
		1-9	10	20	30	
CA25-XX-S-6	DC-6	±0.4	±0.5	±0.6	±0.8	1.20
CA25-XX-S-12.4	DC-12.4	±0.7	±0.7	±0.8	±1.0	1.25
CA25-XX-S-18	DC-18	±0.7	±0.7	±0.8	±1.0	1.30

\*xx refer to attenuator value in dB.

### Notes:

1. The coaxial fixed attenuator must pay attention to the direction of input power.
2. Input power shall meet the requirements of the power derating.
3. General peak power 10 times rated power (5μs pulse width, 1% duty cycle).