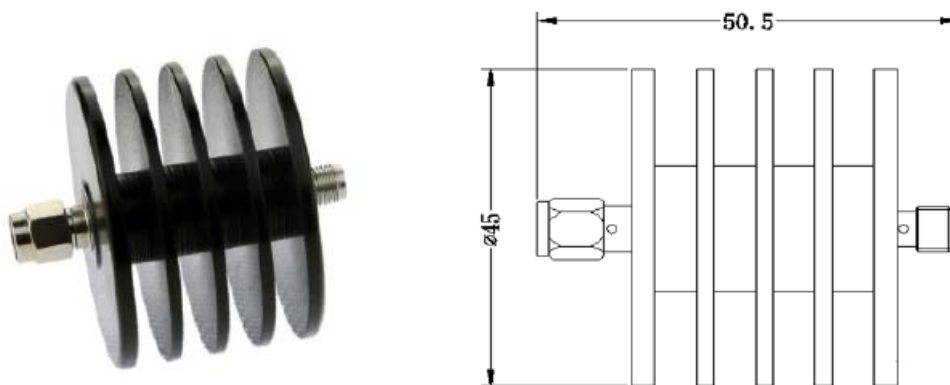


## SMA Series, DC-18GHz, 25W

### Electrical Specifications

- ◇ **Nominal Impedance:** 50 Ω
- ◇ **Power Rating:** 25W
- ◇ **Connector Type:** SMA(Male/Female)
- ◇ **Operating Temperature:** -55℃ to +125℃
- ◇ **Dimension:** Φ45x50.5mm
- ◇ **Net Weight:** 65.5g
- ◇ **RoHS Compliant**

### Outline Drawing (mm)



Part Number	Frequency Range(GHz)	Attenuation Value & Accuracy (dB)				VSWR (Max.)
		1-9	10	20	30	
CA25-XX-S-6	DC-6	±0.4	±0.5	±0.6	±0.8	1.20
CA25-XX-S-12.4	DC-12.4	±0.7	±0.7	±0.8	±1.0	1.25
CA25-XX-S-18	DC-18	±0.7	±0.7	±0.8	±1.0	1.30

\* xx refer to attenuator value in dB.

### Notes:

1. The coaxial fixed attenuator must pay attention to the direction of input power.
2. Input power shall meet the requirements of the power derating.
3. General peak power 10 times rated power (5μs pulse width, 1% duty cycle).